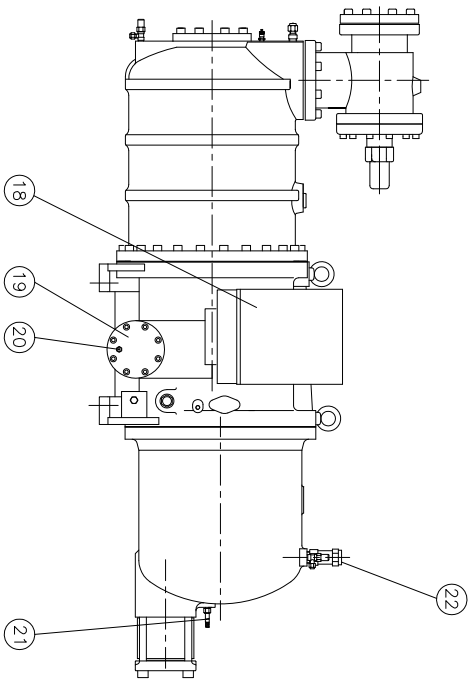
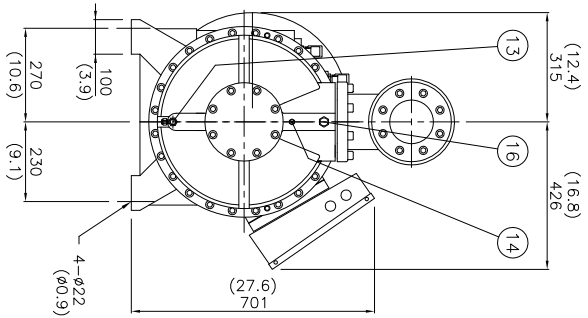
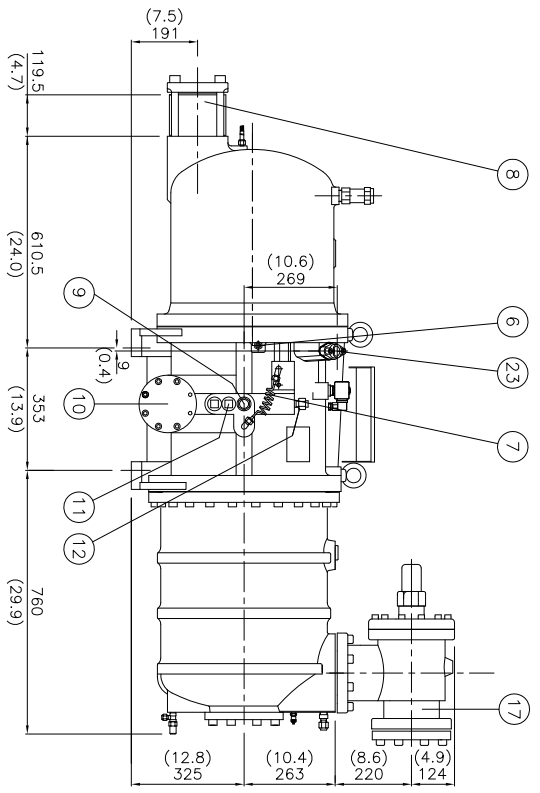
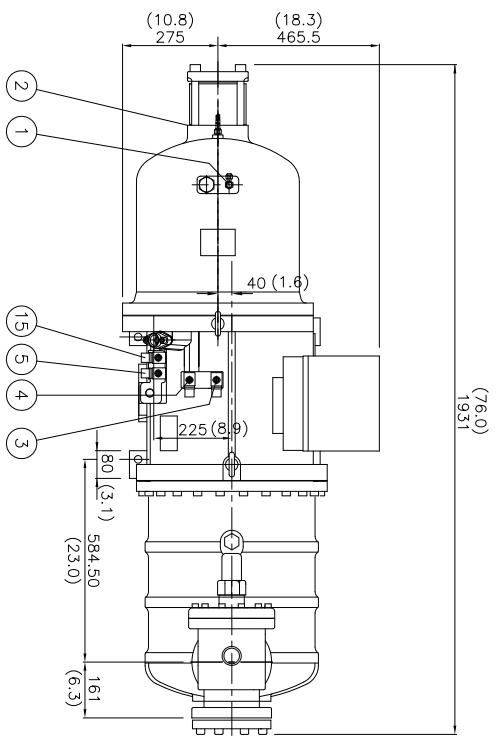


No.	Name	Note	No.	Name	Note
1	Angle valve	1/4" Flare	13	Angle valve	1/4" Flare
2	Discharge flange	4"	14	Refrigerant service valve	1/4" Flare
3	Solenoid valve	50%(NC)	15	Solenoid valve	Stepless(NC or NO), option
4	Solenoid valve	75%(NC)	16	NOT USED	5/8" Flare
5	Solenoid valve	35%(NC)	17	Suction flange	5"
6	Liquid(oil or refrigerant) injection connector	3/8" Flare, option	18	Cable box	Standard
7	Capillary		19	Service flange	
8	Check valve	4"	20	Oil drain valve	option
9	Oil flow sight glass		21	Discharge temp. sensor	110°C
10	Service flange		22	Safety Valve	1"NPT, option
11	Stop pin		23	Economizer port	1 1/8", solder
12	Oil inlet connector	3/4" Flare			

*All stop valves are optional.



Dimensional Outline Drawing & Component Description
for Stepless or Modulating-Type Capacity Control Application

Hanbell Model	RC2-710BF
Date and Rev.	08/21/2012 A
Drawn By	M. Schreiber



Micro Control Systems, Inc.
5580 Enterprise Parkway
Fort Myers, Florida 33905
Tel. (239) 694-0089 Fax (239) 694-0031
E-mail: compressors@mcscontrols.com

